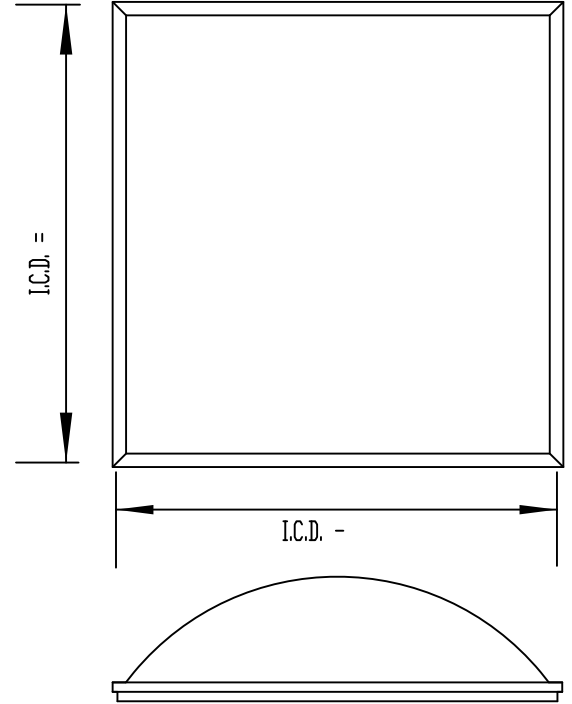
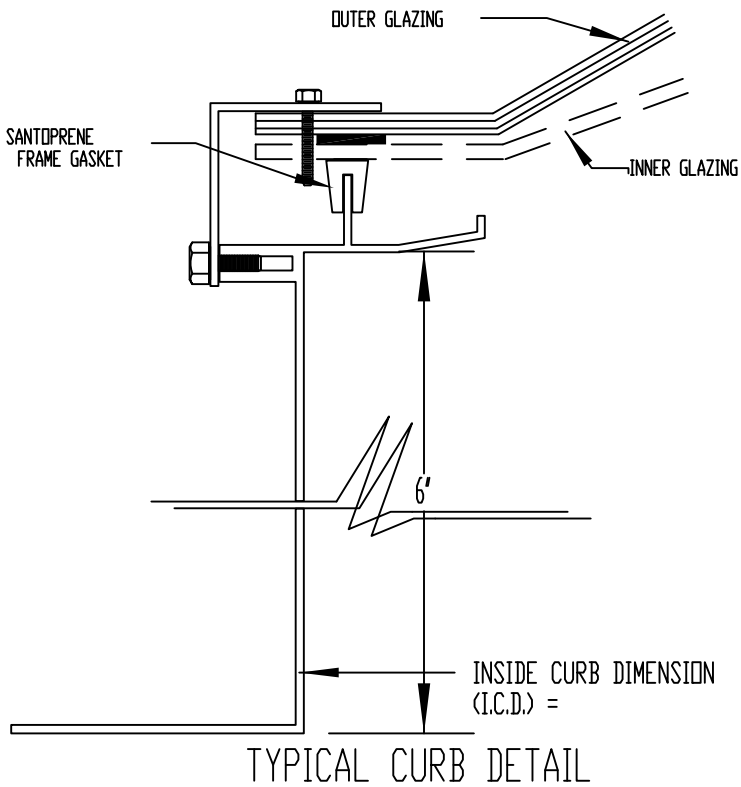


SKYLIGHT:

MODEL SFDAE IMPACT RESISTANT SELF CURBING SKYLIGHT



Units to be assembled on a .063" extruded aluminum curb frame which provides for condensate captivation and capillary break. Gaskets shall be Santoprene. Aluminum retaining frame to be .063" thick. All corners shall be welded. Roof flashing (not by SCI). Glazing shall meet or exceed minimum thickness specified by AAMA 1601-93. Miami-Dade Acceptance

SPECIFICATION AND DATA SHEET

ALUMINUM FINISH

- MILL (STANDARD)
- WHITE PAINTED
- BRONZE PAINTED
- OTHER _____

GLAZING MATERIALS

DOME COLOR	OUTER	INNER
CLEAR	<input type="checkbox"/>	<input type="checkbox"/>
WHITE	<input type="checkbox"/>	<input type="checkbox"/>
BRONZE	<input type="checkbox"/>	<input type="checkbox"/>
OTHER _____	<input type="checkbox"/>	<input type="checkbox"/>

DOME MATERIAL

ACRYLIC	<input type="checkbox"/>	<input type="checkbox"/>
POLYCARBONATE	<input type="checkbox"/>	<input checked="" type="checkbox"/>
POLYCARBONATE XL	<input checked="" type="checkbox"/>	<input type="checkbox"/>

CUSTOMER: _____

PROJECT NAME: _____

SUBMITTAL DATE: _____

APPROVED BY: _____

APPROVAL DATE: _____

MODEL: SF DADE _____

QUANTITY REQ'D: _____

SKYLIGHT CONCEPTS, INC.

9715 W. BROWARD BLVD #264, PLANTATION, FL 33324

PHONE (954) 776-7616

FAX (954) 772-1915