

FVE G31

ELECTRICALLY-OPENING SKYLIGHT WITH DOUBLE GLAZING G3 UNIT

I. APPLICATION

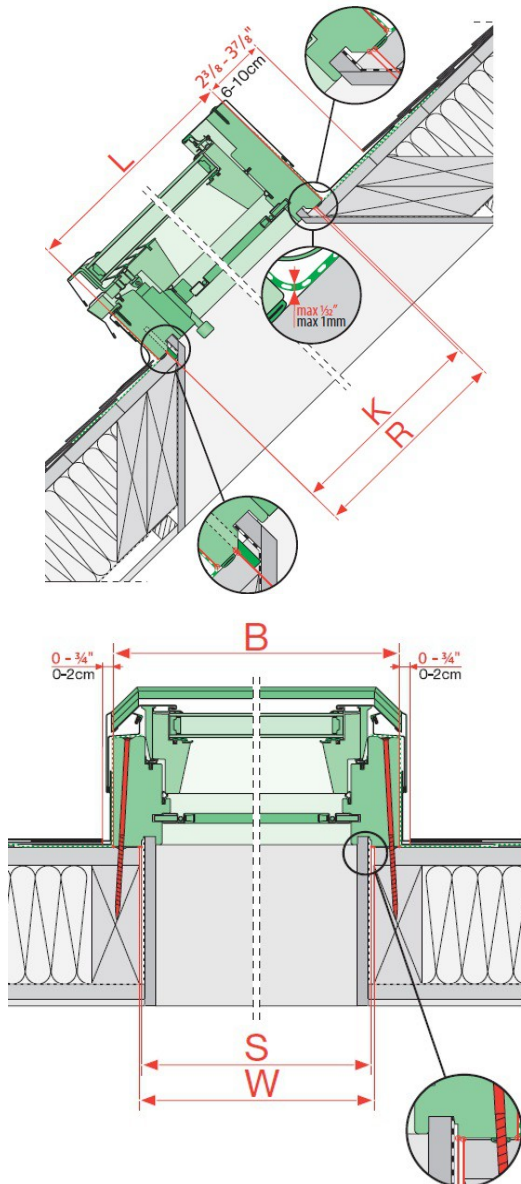
Plastic window/skylight.

Parameter	Value/Type	Marking
Roof angle	15° - 85°	
Roofing base type	slate, roofing felt, bitumen, asphalt, roof tiles, profiled metal sheeting,	-

II. WINDOW SET ELEMENTS

NO.	Element	Quantity	Description
1.	Sash equipped with glazing unit,	1	G31 – glazing unit with external glass toughened and internal glass laminated
2.	Assembly set	1	

VI. ASSEMBLY INFORMATION



III. SIZES

There are available 11 standard sizes. It is possible to produce non-standard sizes from range given below.

FV G31	Skylight width [in]					
	11	16	24	32	48	52
16						
27						
31						
38						
46						
55						
70						

Sizes: Not available Standard Available Ask Producer

IV. TECHNICAL PARAMETERS

Parameter	Unit	Value	Rating
U-factor	[BTU/h ft ² F]	0,44	NFRC 100
Ug for glazing unit	[BTU/h ft ² F]	0,19	
Solar Heat Gain Coefficient	-	0,21	NFRC 200
Air Leakage	[cfm/ft ²] @ 1,57 psf, tested size 24x70	0,04	
Visible Transmittance	-	0,39	NFRC200
Condensation Resistance	-	53	NFRC 500
Water Penetration Resistance Test Pressure	[Pa]	730	
Glazing unit		4HT-Tg14Ar-33.2	

V. PRODUCT CERTIFICATION AUTHORIZATION

NFRC	Certifikaction Number 3125	Product Line Number FSZ-K-001	Revision date 3/15/2016
ICC	Standard: ICC AC 17	Raport number: 3194721TOR-003FVETT ICC	

WxR is dimension of opening. W=S+1/4", R=K+1/4"

VII. DETAILED SIZES

Window size [in]	Size symbol	Frame external size	Lining grooves dimension	Rough opening
		B x L	S x K	W x R
24 x 27	301	24 1/2 x 27 1/2	22 1/4 x 26 1/2	22 1/2 x 26 1/2
24 x 38	304	24 1/2 x 38 1/2	22 1/4 x 37 1/2	22 1/2 x 37 1/2
24 x 46	306	24 1/2 x 46 3/8	22 1/4 x 45 3/8	22 1/2 x 45 1/2
24 x 55	308	24 1/2 x 55	22 1/4 x 54	22 1/2 x 54
24 x 70	312	24 1/2 x 70 3/4	22 1/4 x 69 3/4	22 1/2 x 70
32 x 31	502	32 1/2 x 31	30 1/8 x 30	30 1/2 x 30
32 x 38	504	32 1/2 x 38 1/2	30 1/8 x 37 1/2	30 1/2 x 37 1/2
32 x 46	506	32 1/2 x 46 3/8	30 1/8 x 45 3/8	30 1/2 x 45 1/2
32 x 55	508	32 1/2 x 55	30 1/8 x 54	30 1/2 x 54
48 x 27	801	48 1/2 x 27 1/2	46 1/8 x 26 1/2	46 1/2 x 26 1/2
48 x 46	806	48 1/2 x 46 3/8	46 1/8 x 45 3/8	46 1/2 x 45 1/2

